



Guardian™ GPC-R2

Body Camera



SPECIFICATIONS

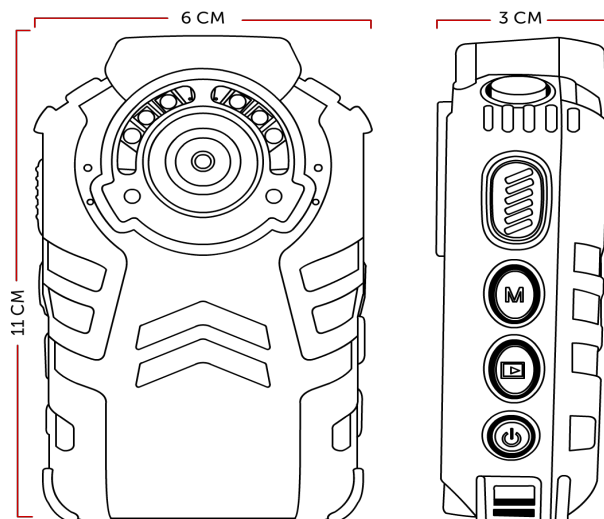
View Angle	120° wide view angle
Display Screen	2.0 inch HD Color LCD
Focus Angle	0.5 meters to infinity
Storage Capacity	Up to 64GB
Digital Zoom	16 ×
GPS Enabled	Yes
One-touch-record	In power off mode, press video button and start video recording
Video	2304 × 1296, 1920 × 1080, 1440 × 1080, 1280 × 720, 848 × 480; MP4 format
Pre/Post recording	30S
Photo	32 mega pixel; 7600 × 4275; JPEG format
Night Vision	Up to 15 meters of visibility
Light	Built-in LED flashlight
Lens Positioning	Laser light aiming
Battery Life	12 hours
Charging Time	3 hours
Weight	5.9 ounces
Dimensions	4.3 × 2.4 × 1.18 Inch (110 × 60 × 30 mm)
Operating Temperature	-22°F to 140°F
Drop Resistance	More than 3 meters
Protection Grade	IP67
Warranty	2 years
Part Number	GPC-R2

* The latest product information / specification can be found at www.guardianbodycam.com

KEY FEATURES

- + Body-Worn Surveillance Camera
- + Designed for Law Enforcement Officers
- + Record Up to Full HD 1080p Video & Audio
- + Super-Wide Viewing Angle 120°
- + Photo Capture During Video Recording
- + 30 ft of Night Vision in Pitch Darkness
- + Built in GPS
- + Up to 64GB of Internal Storage
- + LCD with Speaker for Playback and Review
- + PTT Support, Laser Pointer, Built-In Flashlight

DIMENSIONS



ACCESSORIES



* Data recorded on an SD memory card may be lost or damaged by data access during power-off, mechanical shock, memory card detachment, or other operations. Data loss or damage can also occur when a memory card reaches end of life, which varies according to operational conditions. No guarantee is given against damage (including passive damage).